

Countertop Fryer

W.FRSxx / W.FRTxx



Counter top fryers are the ideal product for short orders of all deep fried foods, including chips and fish.

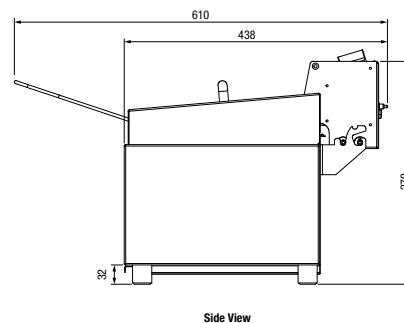
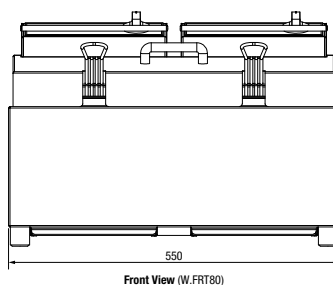
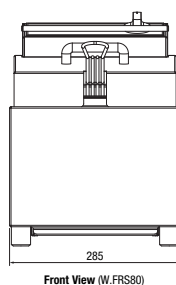
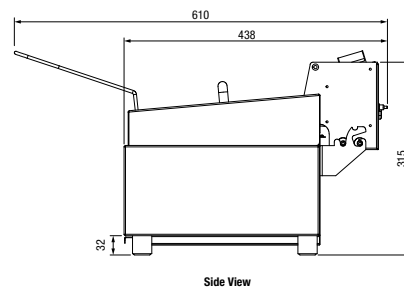
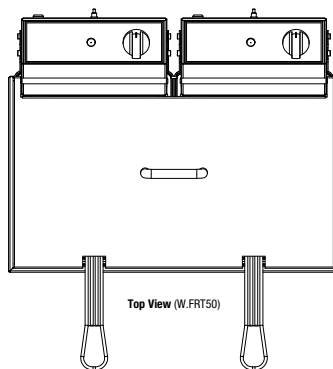
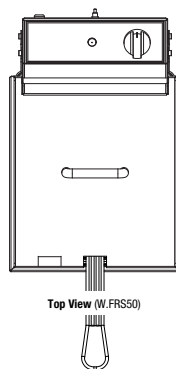
The Woodson range of fryers include the latest features for better cooking, easy cleaning and maximum safety.

Product Information:

- Mechanical thermostat temperature control
- Designed for 180°C frying
- Suitable for use with liquid oil only
- Over temperature safety cut-out as standard
- Stainless steel element covers
- Basket holder at rear for draining
- Removable tilting element assembly
- Easily removable oil tank (1/2 GN)
- Snug fitting stainless steel tank cover
- Drip tray supplied complete with basket(s)
- Power on and indicator light

Specifications:

Model	W.FRS50	W.FRS80	W.FRT50	W.FRT80
Height	315mm	370mm	315mm	370mm
Width	285mm	285mm	550mm	550mm
Depth	610mm	610mm	610mm	610mm
Weight	10kg	12kg	16kg	17kg
Power	2.2kW	3.2kW	2 x 2.2kW	2 x 3.2kW
	10A plug & lead fitted	15A plug & lead fitted	15A plug & lead fitted	15A plug & lead fitted
Capacity	5 Litre	8 Litre	2 x 5 Litre	2 x 8 Litre



Due to continuous product research and development, the information contained herein is subject to change without notice.

Revision: 27/05/2019

www.stoddart.com.au

www.stoddart.co.nz