

ubert®

# DKT CLASSIC

SERVE-OVER DELI CASE



## FEATURES INCLUDE:

Curved lift up glass  
Stainless steel internal  
Overhead lighting  
Electronic temperature control

Mounting base  
Displays various size gastronorm pans  
Self serve (optional)  
Condensing unit

**BAKER**

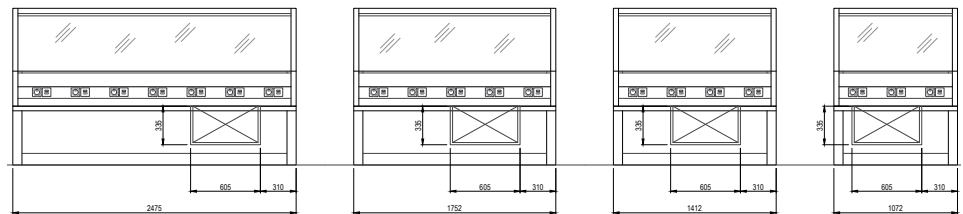
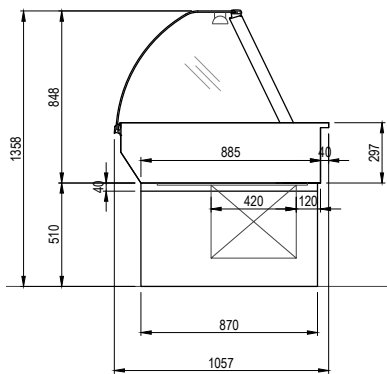
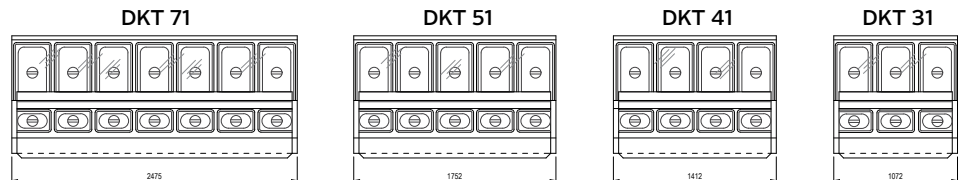
REFRIGERATION

Visit our website [www.ajbaker.com.au](http://www.ajbaker.com.au) or email us at [email@ajbaker.com.au](mailto:email@ajbaker.com.au)

Image used for illustration only.

# DKT CLASSIC

SERVE-OVER DELI CASE



DKT CLASSIC	31**	41**	51**	71**
* Operating Temp (°C)	+2/+4	+2/+4	+2/+4	+2/+4
Power Supply	230V/1Ph/10 Amp plug			
Operating Current (Amp)	3.0	3.4	3.9	4.8
Nominal Power 1ph (W)	680	780	880	1100
Energy Consumption (kWh/24h)	12.2	14	15.8	19.8
Display Area – quantity gastronorm pans	3 x (1/1) + 3 x (1/3)	4 x (1/1) + 4 x (1/3)	5 x (1/1) + 5 x (1/3)	7 x (1/1) + 7 x (1/3)
Length (mm)	1072	1412	1752	2475
Height incl. castors (mm)	1358	1358	1358	1358
Depth incl. bumper (mm)	1057	1057	1057	1057
Weight w/o packaging	137	162	198	271

\* Climate class 3 (25°C 60%R/H)  
 Gastronorm pans not included  
 \*\* Ex factory item