

Technical data sheet for

## ELECTRIC COOKTOPS 600mm

RN8400E-B, RN8400E-CB, RN8400E-LS, RN8403E-B, RN8403E-CB, RN8403E-LS,  
RN8406E-B, RN8406E-CB, RN8406E-LS



RN8400E-B

- Heavy-duty construction
- 2.4kW open radiant elements
- Optional Hot Plate elements
- 300mm and 600mm griddle plate options
- 3 models of base unit
- Stainless steel exterior
- Easy clean
- Easy service
- Fully modular
- Low back models (RNL) available

### Overall Construction

#### COOKTOP

- Welded hob with 1.5mm 304 stainless steel bull nose
- Splashback and side panels 1.2mm 304 stainless steel
- Front panels 0.9mm 304 stainless steel
- 2.4kW open radiant elements in heavy-duty welded element frames
- Vitreous enamelled element module and hob spill trays
- Hot Plate elements with machine finished 8mm steel plate (optional extra)
- 12mm thick mild steel griddle plates
- 2.5mm 304 stainless steel griddle splash guards
- Aluminised steel internal construction

#### BENCH MOUNT (SUPPLIED AS -B MODEL)

- Four 63mm dia. heavy-duty 1.2mm 304 stainless steel bench legs with adjustable feet
- Adjustable height 80mm – 105mm

#### CABINET BASE (SUPPLIED AS -CB MODEL)

- Fully modular for match suite finish
- Double skin 0.9mm 304 stainless steel interior and exterior
- Optional GN 1/1 4 position racking kit
- 63mm dia. heavy-duty 1.2mm 304 stainless steel legs with adjustable feet

#### LEG STAND (SUPPLIED AS -LS MODEL)

- Fully modular for matched suite finish
- Framed top for connection to Cooktop
- 63mm dia. heavy-duty 1.2mm 304 stainless steel legs with adjustable feet
- Fully modular framed stand shelf with 0.9mm 304 stainless steel finish
- Quick assembly design (no tools required)

### Controls

- Large easy use control knob - heat resistant reinforced
- Easy view control settings on knob
- Radiant elements with energy regulator controls
- Hot Plate elements with energy regulator controls
- 50-320°C thermostat per 300mm griddle section
- Indicator lights for power and heating for each element control

### Cleaning and Servicing

- All models with easy clean stainless steel external finish
- Removable vitreous enamelled element module and hob spill trays
- Hinge up element and griddle sections
- Access to all parts from front of unit

# Technical data sheet for ELECTRIC COOKTOPS 600mm



## Specifications

### COOKTOP

- 2.4 kW Open Radiant elements
- 2.0 kW Hot Plate elements
- 3.6 kW Griddle elements (per 300mm griddle section)

### GRIDDLE PLATE

- 300mm Griddle cooking surface 292mm x 475mm, 1387cm<sup>2</sup>
- 600mm Griddle cooking surface 592mm x 475mm, 2812cm<sup>2</sup>

### Electrical requirements

- RN8400E**  
9.6 kW, 400-415Vac, 50/60hz, 2P+N+E, 20A/phase
- RN8403E**  
8.4 kW, 400-415Vac, 50/60hz, 2P+N+E, 20A/phase max.
- RN8406E**  
7.2 kW, 230-240Vac, 50/60hz, 1P+N+E, 30A

### Electrical connection

- 130mm from RH side, 31mm from rear
- 85mm from bench height on bench models
- 740mm from floor on leg stand and cabinet base models

### DIMENSIONS

#### Bench models

- Width 600mm
- Depth 805mm
- Height 315mm
- Incl. splashback 530mm
- Incl. low back 370mm

#### All models (excluding Bench model)

- Width 600mm
- Depth 805mm
- Height 915mm
- Incl. splashback 1130mm
- Incl. low back 970mm

### NETT WEIGHT

#### Bench and Leg Stand models

74kg

#### Cabinet Base models

79kg

### PACKING DATA

#### Bench and Leg Stand models

- 0.37m<sup>3</sup>, 110kg
- Width 645mm
- Depth 870mm
- Height 665mm

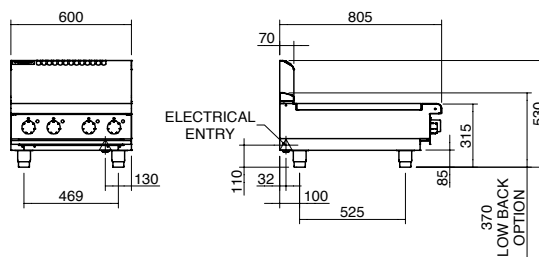
#### Cabinet Base models

- 0.70m<sup>3</sup>, 131kg
- Width 870mm
- Depth 645mm
- Height 1255mm

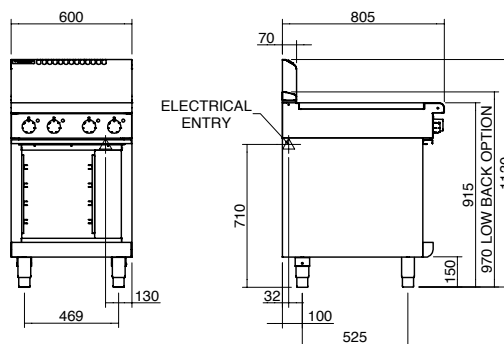
### OPTIONS AT EXTRA COST

- Hot Plate elements (replace individual open radiant elements)
- Ribbed griddle plates

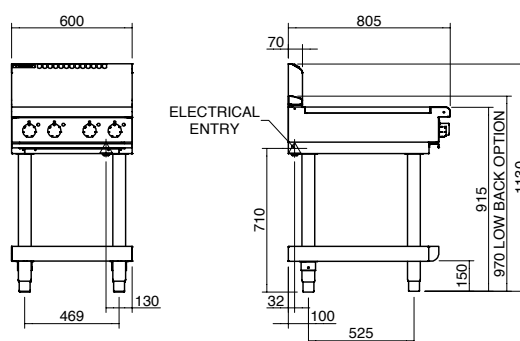
### RN8400E-B BENCH MODEL



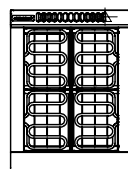
### RN8400E-CB CABINET BASE



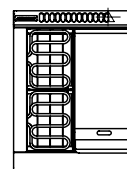
### RN8400E-LS LEG STAND



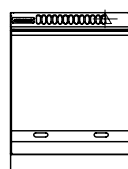
### RN8400E



### RN8403E



### RN8406E



Australia  
www.moffat.com.au  
New Zealand  
www.moffat.co.nz

Australia  
Moffat Pty Limited

Victoria/Tasmania  
740 Springvale Road  
Mulgrave, Victoria 3170  
Telephone 03-9518 3888  
Facsimile 03-9518 3833  
vsales@moffat.com.au

New South Wales  
Telephone 02-8833 4111  
nswsales@moffat.com.au

South Australia  
Telephone 03-9518 3888  
vsales@moffat.com.au

Queensland  
Telephone 07-3630 8600  
qldsales@moffat.com.au

Western Australia  
Telephone 08-9202 6820  
bgarcia@moffat.com.au

New Zealand  
Moffat Limited

Christchurch  
Telephone 03-389 1007  
sales@moffat.co.nz

Auckland  
Telephone 09-574 3150  
sales@moffat.co.nz



Designed and manufactured by



ISO9001  
All Waldorf products are designed and manufactured by Moffat using the internationally recognised ISO9001 quality management system, covering design, manufacture and final inspection, ensuring consistent high quality at all times.

In line with policy to continually develop and improve its products, Moffat Limited reserves the right to change specifications and design without notice.

Printed in New Zealand  
© Copyright Moffat Limited  
Moffat/BH/6864

