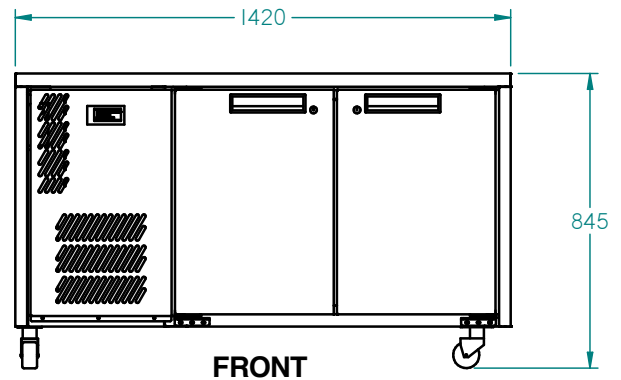
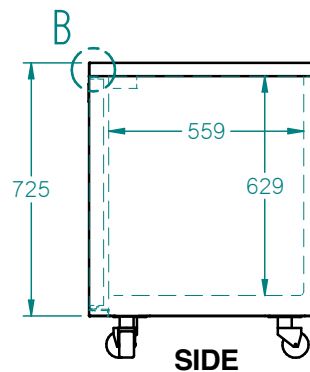
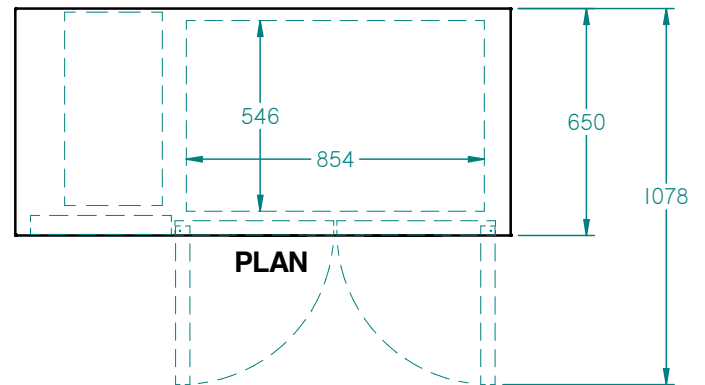


# LO2UFB



CATEGORY	FOODSERVICE COUNTERS
RANGE	<b>Opal</b>
UNIT	FREEZER
TYPE	SELF CONTAINED
DOORS	2



## SPECIFICATIONS

CAPACITY LITRES	350
TEMPERATURE	-18°C / -22°C
FRONT BREATHING	YES
DIMENSIONS - W X D X H (ON CASTORS) MM	1420 W x 650 D x 845 H
WEIGHT UNPACKED (KG)	130

## STANDARD INCLUSIONS \*\*\*

DOOR TYPE	Standard: <b>SD</b> (Solid Door)    Optional: <b>DR</b> (Drawer)
FINISH (INTERIOR AND EXTERIOR EXCLUDING REAR AND UNDER)	<b>SS</b> (Stainless Steel)
SHELVES/DOOR	2

## ELECTRICAL

POWER SUPPLY	10 amp	
FREEZER MODELS	RUNNING AMPS	4.5

## GAS TYPE

REFRIGERANT	FREEZER MODELS	R404a
-------------	----------------	-------

\*\*\* For **OPTIONS** refer to the current Williams Price Guide