

INDUCTION COOKTOP 450mm

IN512-CB

- Heavy-duty construction
- Two 5KW induction zones
- Cabinet base with door
- Stainless steel cabinet interior
- Stainless steel exterior
- Easy clean
- Fully modular



IN512-CB

Overall Construction

Cooktop

- Welded hob with 1.5mm stainless steel bull nose
- Splashback and side panels 1.2mm stainless steel
- Front panels 0.9mm stainless steel
- 6mm thick ceramic glass cooking surface

Cabinet Base

- Fully modular for match suite finish
- Double skin 0.9mm stainless steel interior and exterior
- 63mm dia. heavy-duty 1.2mm stainless steel legs with adjustable feet

Controls

- Large easy use control knob
- Two 270mm diameter induction zones
- Infinitely variable power controls for each induction zone
- Automatic pan detection switches cooking zone off when pan removed
- Heating ON indicator lights (green) including pan detection indication
- Error mode indicator light (red)

Cleaning and Servicing

- All models with easy clean stainless steel external finish
- Fully sealed cooking surface
- Removable full stainless steel air intake filters (induction cooling)
- Front service access

INDUCTION COOKTOP 450mm

IN512-CB

Specifications

Cooktop

2 x 5kW induction plates
 Ø 270mm cooking zones

Electrical requirements

IN512-CB
 10kW, 400-415Vac, 50/60hz, 3P+E
 16A/phase
 Electrical connection
 130mm from RH side, 23mm from rear
 742mm from floor

Dimensions

Width 450mm
 Depth 812mm
 Height 1085mm
 Incl. splashback 1130mm

Nett weight

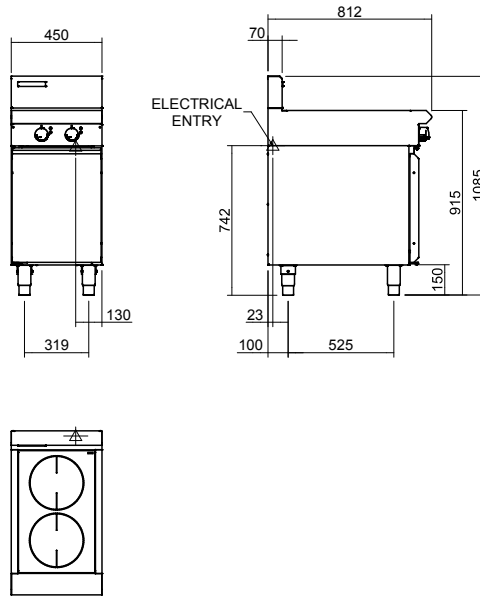
88kg

Packing data

0.54m³, 130kg
 Width 495mm
 Depth 865mm
 Height 1255mm

Options

Castors
 Plinth mounting



moffat.com.au
moffat.co.nz

Australia
moffat.com.au

Moffat Pty Limited

Victoria/Tasmania
 740 Springvale Road
 Mulgrave, Victoria 3170
 Telephone +613-9518 3888
 Facsimile +613-9518 3833
vsales@moffat.com.au

New South Wales
 Telephone +612-8833 4111
nswsales@moffat.com.au

South Australia
 Telephone +613-9518 3888
vsales@moffat.com.au

Queensland
 Telephone +617-3630 8600
qldsals@moffat.com.au

Western Australia
 Telephone +618-9413 2400
wasales@moffat.com.au

New Zealand

moffat.co.nz

Moffat Limited

Rolleston
 45 Illinois Drive
 Izone Business Hub
 Rolleston 7675
 Telephone +64 3-983 6600
 Facsimile +64 3-983 6660
sales@moffat.co.nz

Auckland
 Telephone +64 9-574 3150
sales@moffat.co.nz



Cert. No. 6901

In line with policy to continually develop and improve its products, Moffat Limited reserves the right to change specifications and design without notice.

© Copyright Moffat Ltd
 AN.BSE.01.19/1620

an Ali Group Company



The Spirit of Excellence