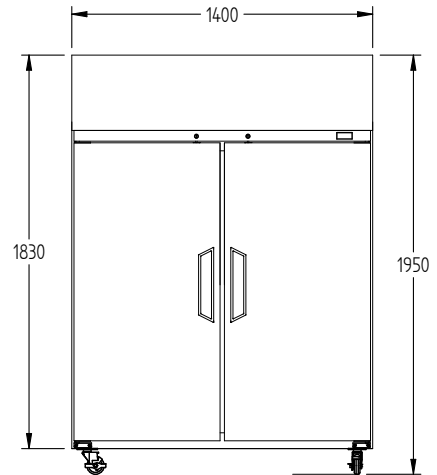
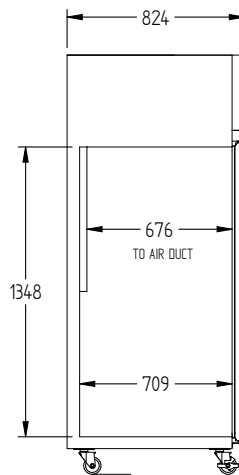
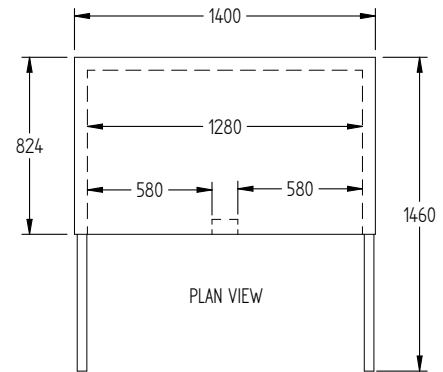


# HTG2SS



CATEGORY	TOPAZ CAFÉ RANGE
RANGE	<b>Topaz Top Mount</b>
UNIT	REFRIGERATOR
TYPE	SELF CONTAINED
DOORS	2



## SPECIFICATIONS

TEMPERATURE	1°C / 4°C
CAPACITY LITRES	1120
DIMENSIONS - W X D X H MM	1400 W x 824 D x 1950 H
WEIGHT UNPACKED (KG)	220
STANDARD INCLUSIONS*	
DOOR TYPE	S (SOLID DOOR)
FINISH	S (STAINLESS STEEL)
SHELVES/DOOR	4
<b>ELECTRICAL</b>	
POWER SUPPLY	10amp
RUNNING AMPS	3.3
<b>GAS TYPE</b>	
REFRIGERANT	R134a

\*\*\* For **OPTIONS** refer to the current Williams Price Guide