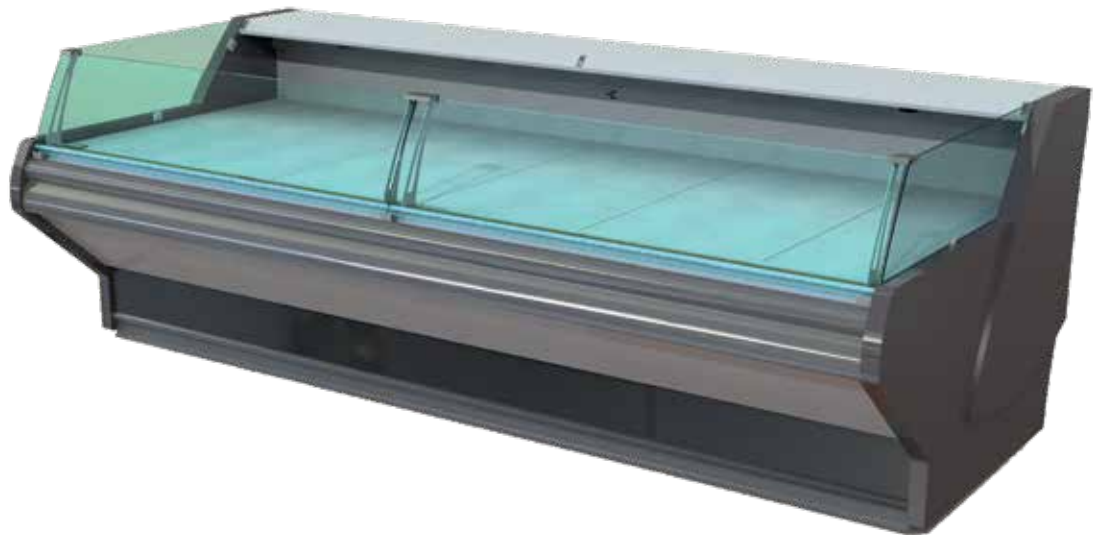


ERGO 100 SELF SERVE

SELF SERVE DELI COUNTER



FEATURES INCLUDE:

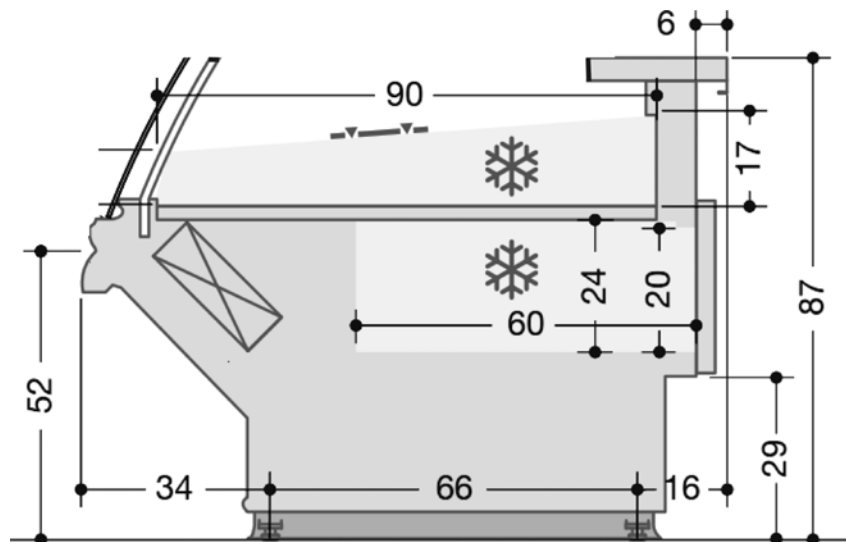
ER100 self serve deli counter
Front glass demister
Canopy lighting
Refrigerated under storage
Rear perspex slides

Castor wheels (optional)
Evaporator with anti corrosion treatment
Internal air flow controller (fan speed regulator)
Internal in stainless steel AISI 304

ERGO 100 SELF SERVE

SELF SERVE DELI COUNTER

CRIOCABIN
TASTE PRESENTATION



ERGO 100	** 937	** 1250	1875	2500	3125	3750
*Operating Temp (°C)	+2/+4	+2/+4	+2/+4	+2/+4	+2/+4	+2/+4
Refrigeration	Ventilated/R404a					
Defrost	Automatic					
Power Supply	230V/1Ph/10 Amp plug					
Operating Current (Amp)	1.8	1.8	3.5	3.6	5.3	5.4
Nominal Power (W)	400	410	804	812	1202	1210
Energy consumption (kWh/24h)	7.2	7.4	14.5	14.6	21.6	21.8
Display Surface (m ²)	0.84	1.13	1.69	2.25	2.81	3.38
Length (mm) with endwall	1047	1360	1985	2610	3235	3860
ABS endwall thickness (mm)	55	55	55	55	55	55
Height w/o castors (mm)	1255	1255	1255	1255	1255	1255
Height incl. castors (mm)	1341	1341	1341	1341	1341	1341
Depth w/o bumpers (mm)	1160	1160	1160	1160	1160	1160
Depth w bumpers (mm)	1183	1183	1183	1183	1183	1183
Weight w/o packaging (kg)	150	175	225	300	375	450

* Climate class 3 (25°C, 60%R/H)

** Ex factory item