

specifications

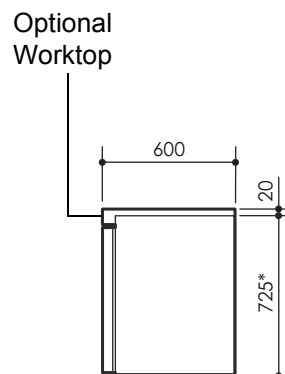
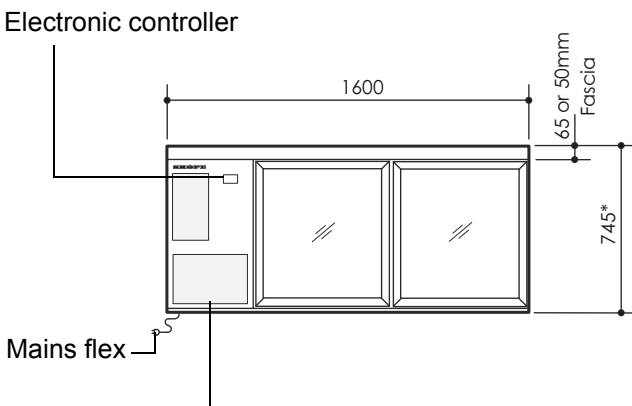
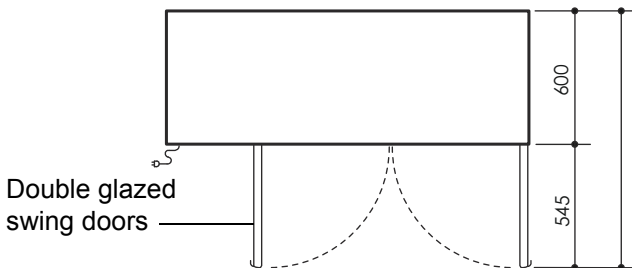
CC300-2SW

SKOPE Counterline - Slimline
2 Swing Door Integral Chiller (JS2202V)

CABINET DIMENSIONS

	External	Internal
Height:	725mm*	545mm
Width:	1600mm	1120mm
Depth:	600mm	485mm
Floor area:	0.96m ²	

* Height excludes castors or legs



Side mounted integral refrigeration unit

Copyright © 2007 SKOPE Industries Limited

CABINET SPECIFICATIONS

Refrigeration system:	Side mounted, integral refrigeration unit (UE12AAC-173ZC)
Electronic controller:	SKOPE CAREL ir33
Refrigerant:	R134a / 425 g
Nominal capacity:	581 Watts
Cabinet internal volume:	335 litres
Insulation:	50mm polyurethane foam
Cabinet temperature range:	+1°C to +4°C in 40°C ambient
Drainage:	No plumbing required
Electrical:	230-240 Volts a.c. 50 Hz, single phase supply, 2.3 Amps
Internal lighting:	1 x 20W T8 Frosted LED Tube (Ø26 x 900mm, 5500K) - Switched
Internal door opening size:	2 door openings: 544mm high x 520mm wide
Doors:	Self-closing, double glazed, toughened Low-E safety glass with aluminium extrusion or insulated solid doors
Worktop (optional):	Optional 20mm high stainless steel worktop with 65mm fascia
Shelves:	Adjustable height, white plastic coated, steel wire shelves - two per door

SKOPE Industries Limited reserve the right to alter specifications without notice.

PSS0067 Rev. 4.0 Mar. 2014



SKOPE INDUSTRIES LIMITED



New Zealand Freephone: 0800 947 5673, Fax: (03) 983 3896. Australian Freephone: 1800 121 535, Freefax: 1800 121 533

Email: enquiry@skope.co.nz Website: www.skope.com