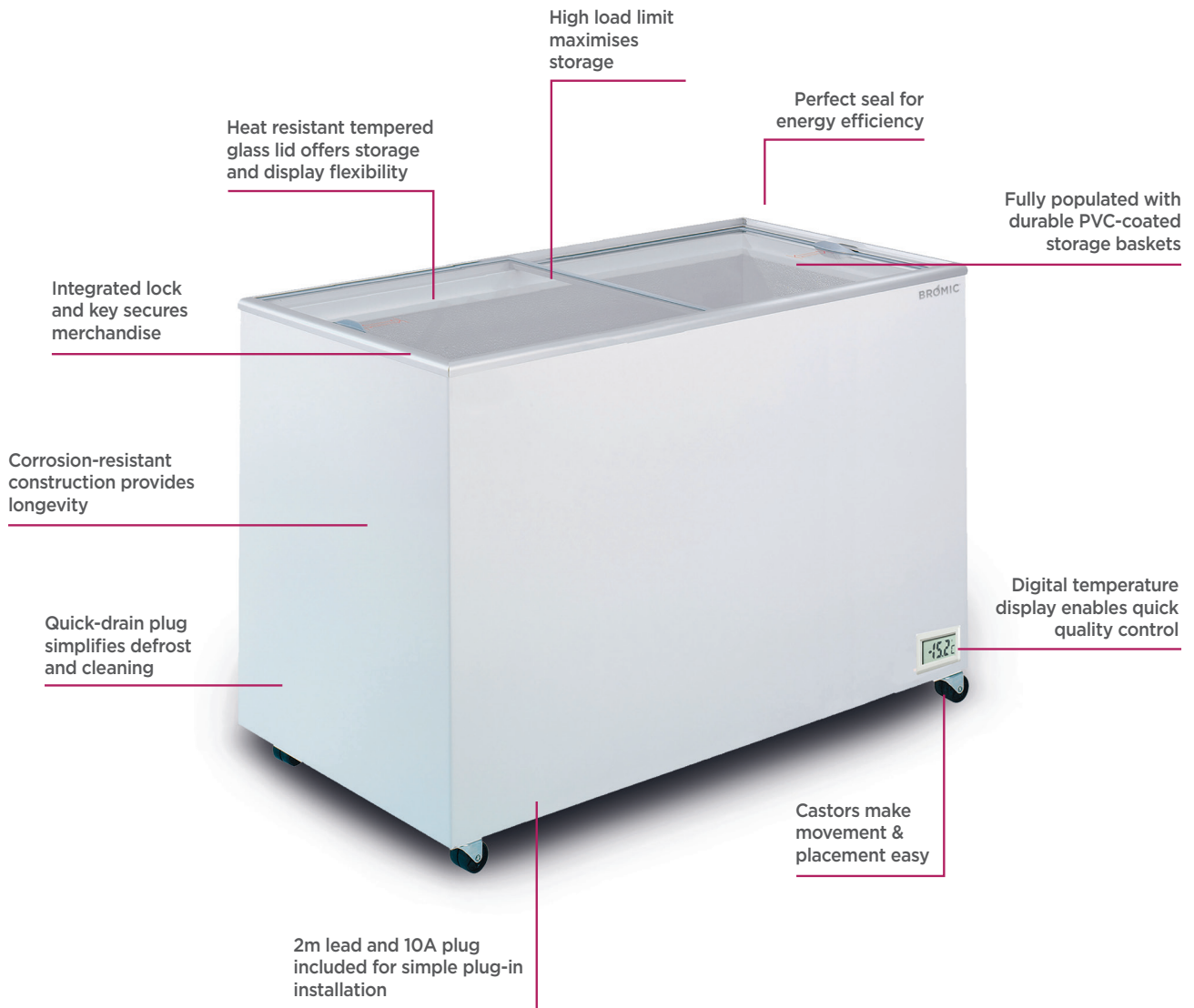


CF0400FTFG | Flat Glass Top 401L Chest Freezer

Chest Freezers

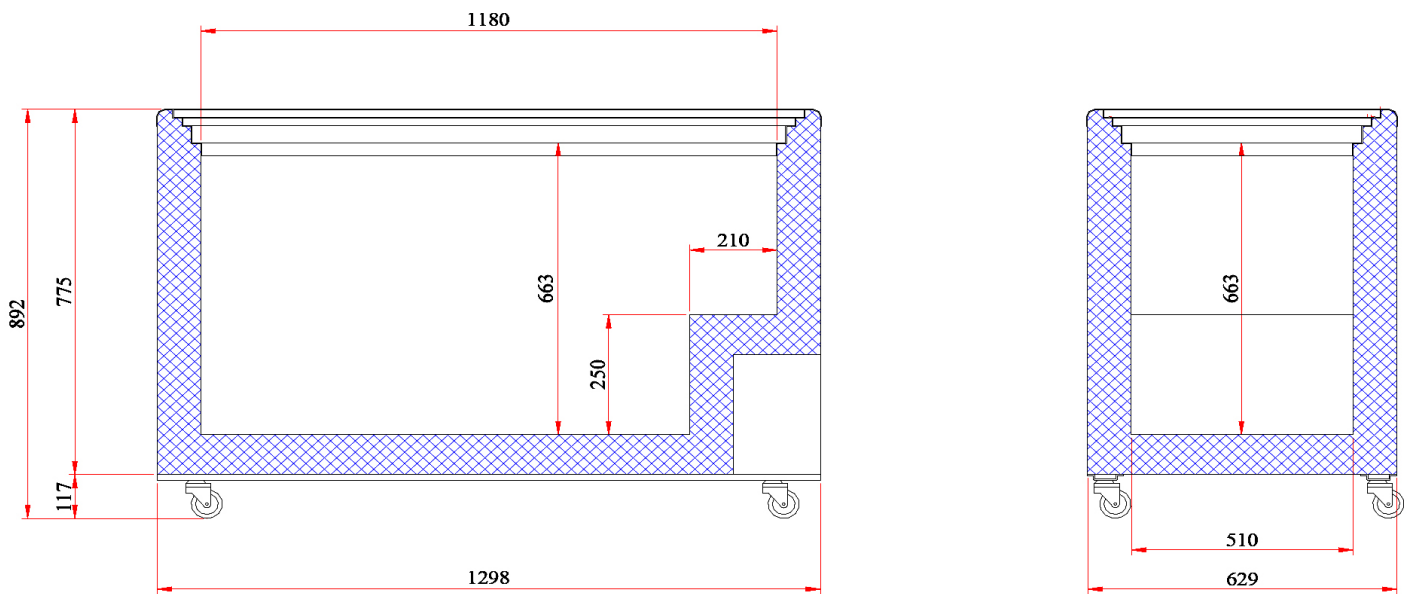
CF0400FTFG

**FLAT GLASS TOP
401L CHEST
FREEZER**



CF0400FTFG | Flat Glass Top 401L Chest Freezer

Chest Freezers



SPECIFICATIONS	Part Number	3735310	Internal Light	No
	Capacity	401L	No. of Lids	2
	Temperature range	-22 to -12°C	Lid Type	Slide - Glass
	Max. Ambient Temp	35°C	Lid Shape	Flat
	Refrigeration Capacity	300W	Lid Lock	Yes
	Energy Consumption	4.9kWh/24h	Temp. Controller	Digital
	Current	2.3A	Castors	Yes
	Gross Weight	80kg	No. Baskets Included	5
	Packaged Dimensions	1330 x 680 x 950 mm	Colour	White
	Air-Circulation	Static	Warranty	2 Years, Parts & Labour
	Refrigerant	R404a	Warranty Service	Bromic Extra Care
	Plug Supplied	Yes, 1 x 10A		
	Plug Location	2m long, bottom right rear		

DIMENSIONS		External (mm)	Internal (mm)
	Width	1298	1180
	Depth	629	510
	Height	892	663

All information is correct at the time of publication. BROMIC PTY Ltd reserve the right to alter specifications without notice.