

TECHNICAL DATA SHEET FOR

# 40 Litre Planetary Mixer

BM40AT3P BM40HAT3P

## STANDARD FEATURES

- Heavy duty construction
- Belt driven
- Long life gear box
- 3 fixed speeds
- Easy speed shifting
- 15 minute timer
- Attachment drive (BM40HAT3P)

## STANDARD ACCESSORIES

- Batter beater
- Dough hook
- Wire whisk
- 40 litre stainless steel bowl
- Wire safety guard
- Scraper



BM40AT3P

## OPTIONAL ACCESSORIES

- BM40AT-06-003 HUB attachment drive (BM40AT3P)
- HL-G12SH Mincer
- HL-VS12A Slicer / Shredder
- BM40AT-12-001 Stainless steel bowl to suit 40 litre mixer
- BM40AT-12-002 Batter beater to suit 40 litre mixer
- BM40AT-12-003 AL hook to suit 40 litre mixer
- BM40AT-12-004 Stainless steel wire whip to suit 40 litre mixer
- BM40ATM Reduction kit 20 litre includes bowl, hook, beater and whisk

TECHNICAL DATA SHEET FOR

# 40 Litre Planetary Mixer

BM40AT3P BM40HAT3P

**SPECIFICATIONS**

**Electrical Requirements**

400-415V, 3P+E, 50Hz, 1.125kW

**External Dimensions**

Width 540mm

Height 1107mm

Depth 629mm

**Nett Weight**

185kg (BM40AT3P)

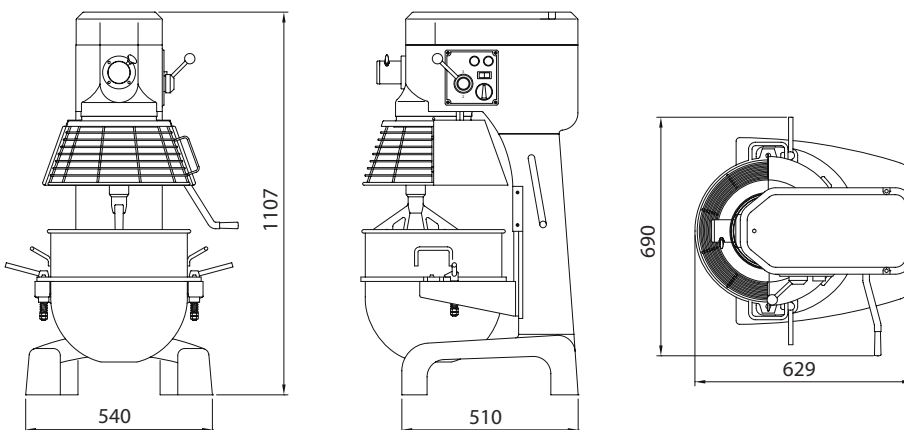
185kg (BM40HAT3P)



Australia  
www.moffat.com.au  
New Zealand  
www.moffat.co.nz

**Australia**  
Moffat Pty Limited  
Victoria/Tasmania  
740 Springvale Road  
Mulgrave, Victoria 3170  
Telephone 03-9518 3888  
Facsimile 03-9518 3833  
vsales@moffat.com.au  
New South Wales  
Telephone 02-8833 4111  
nswsales@moffat.com.au  
South Australia  
Telephone 03-9518 3888  
vsales@moffat.com.au  
Queensland  
Telephone 07-3630 8600  
qldsales@moffat.com.au  
Western Australia  
Telephone 08-9202 6820  
bgarcia@moffat.com.au

**New Zealand**  
Moffat Limited  
Christchurch  
16 Osborne Street  
Christchurch 8011  
Telephone 03-389 1007  
Facsimile 03-389 1276  
sales@moffat.co.nz  
Auckland  
Telephone 09-574 3150  
sales@moffat.co.nz



In line with policy to continually develop and improve its products, Moffat Limited reserves the right to change specifications and design without notice.

