



BIN240PE

ICE STORAGE BIN

Polyethylene moulded storage bin which sits underneath a range of Brema modular ice machine heads.

The BIN240PE stores 240kg of ice and has an insulated polyethylene moulded tank to ensure long-lasting, quality ice.

When coupled with an ice cube or ice flake head, the BIN240PE generously stores ice to meet peak demand times for a range of applications.

Can be coupled with: C150, VM350/500/900, TM250/450, G160/280/510.

STANDARD FEATURES

- 240kg storage capacity
- Can be coupled with a range of Brema modular ice machine heads
- Polyethylene moulded outer
- Polyethylene moulded tank for insulation
- Piano-hinged door

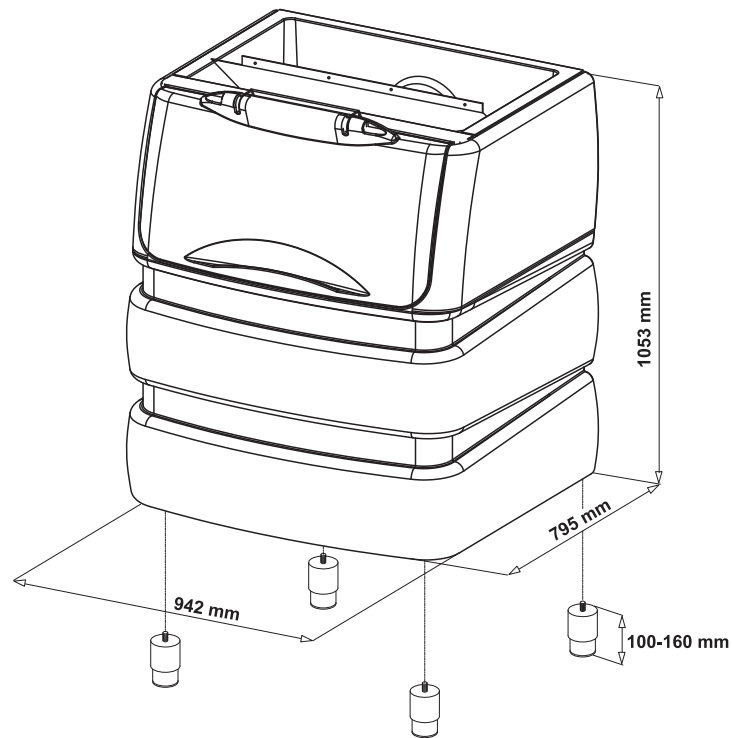
STANDARD ACCESSORIES

- Drainage hose
- Adjustable stainless steel legs (4)
- Plastic ice scoop



DIMENSIONS	
942W x 795D x 1053*H mm *(add 100-160mm for adjustable legs)	
Clearances: Rear: 100mm Sides: 100mm	
CONNECTIONS	
24mm Water outlet	
TECHNICAL DATA	
Storage Capacity:	240kg
Weight:	69kg
USABLE WITH MODULAR HEADS	
C150, VM350/500/900, TM250/450, G160/280/510	

SPECIFICATIONS ARE SUBJECT TO CHANGE WITHOUT NOTICE.



National Head Office
 156 Swann Drive
 Derrimut VIC 3030
 Tel: +61 3 8369 4600
 Fax: +61 3 8369 4695
www.comcater.com.au

Melbourne
 96-100 Tope Street
 South Melbourne VIC 3205
 Tel: +61 3 8369 4600
 Fax: +61 3 8699 1299

Sydney
 20/4 Avenue of the Americas
 Newington, NSW 2127
 Tel: +61 2 9748 3000
 Fax: +61 2 9648 4762

Brisbane
 1/62 Borthwick Avenue
 Murarrie QLD 4172
 Tel: +61 7 3399 3122
 Fax: +61 7 3399 5311

Perth
 Unit 16, 7 Abrams Street
 Balcatta, WA 6021
 Tel: +61 8 6217 0700
 Fax: +61 8 6217 0799

from the world of Comcater!