



BIN120

ICE STORAGE BIN

Stainless steel storage bin which sits underneath the Brema VM350A.

The BIN120 stores 120kg of ice and has an insulated polyethylene moulded tank to ensure long-lasting, quality ice.

When coupled with an ice cube head, the BIN120 generously stores ice to meet peak demand times for a range of applications.

Can be coupled with: VM350A.

STANDARD FEATURES

- 120kg storage capacity
- Can be coupled with Brema VM350A ice cube head
- Stainless steel 18/8 construction
- Polyethylene moulded tank for insulation
- Piano-hinged door

STANDARD ACCESSORIES

- Drainage hose
- Adjustable stainless steel legs (4)



DIMENSIONS

560W x 817D x 905*H mm *(add 125mm for adjustable legs)

Clearances: Rear: 100mm Sides: 100mm

CONNECTIONS

24mm Water outlet

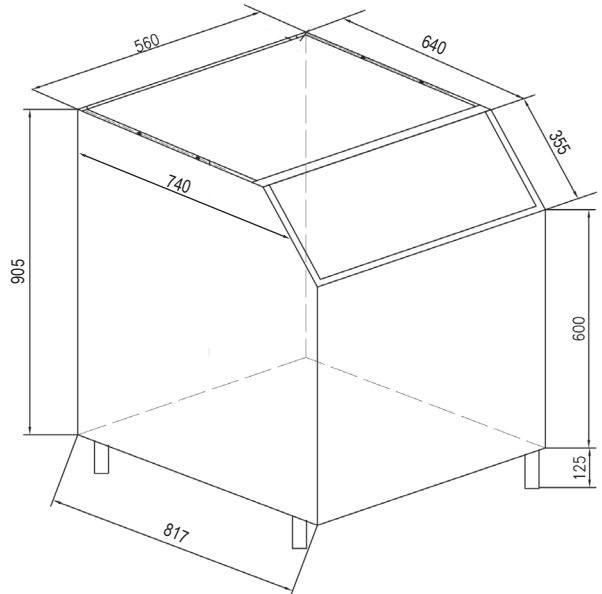
TECHNICAL DATA

Storage Capacity: 120kg
Weight: 60kg

USABLE WITH MODULAR HEADS

VM350A

SPECIFICATIONS ARE SUBJECT TO CHANGE WITHOUT NOTICE.



National Head Office
156 Swann Drive
Derrimut VIC 3030
Tel: +61 3 8369 4600
Fax: +61 3 8369 4699

www.comcater.com.au

Melbourne
96-100 Tope Street
South Melbourne VIC 3205
Tel: +61 3 8369 4600
Fax: +61 3 8699 1299

Sydney
20/4 Avenue of the Americas
Newington, NSW 2127
Tel: +61 2 9748 3000
Fax: +61 2 9648 4762

Brisbane
1/62 Borthwick Avenue
Murarrie QLD 4172
Tel: +61 7 3399 3122
Fax: +61 7 3399 5311

Perth
Unit 16, 7 Abrams Street
Balcatta, WA 6021
Tel: +61 8 6217 0700
Fax: +61 8 6217 0799