



# MIRACLE MR300ARS

Bakery



The Miracle MR300ARS is fitted with Runsafe Guarding System

## Features & Benefits

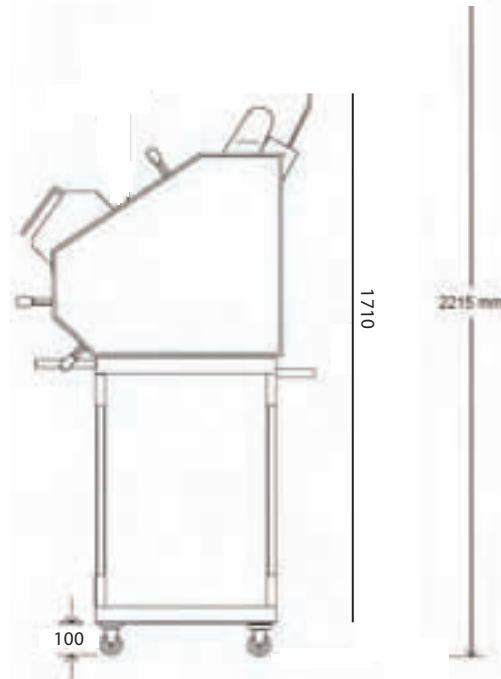
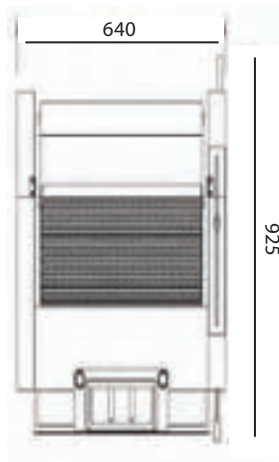


- Stainless steel curling chain
- Four piece cutter fitted as standard
- Micro-switch controlled safety features
- Non stick sheeting rollers

- Supplied mobile with stand
- Standard with green start and red stop buttons
- Easy setting selection
- Fitted with Derpanyl composite non-stick moulding belt

## MIRACLE MR300ARS

### TECHNICAL DATA



#### Machine Range / Output

- Comprehensive range of sandwich loaves, viennas baguettes and bread rolls
- Recommended weight range 30 - 990 grams
- Recommended maximum output 900 loaves / 1800 rolls per hour

#### Specifications

- 415V, 3 P + E, 50Hz, 1.0kW
- 4 pin 10 amp plug supplied
- 640mm W x 925mm D x 1710mm H

#### Weight

- 280kg

#### Additional Technical Information

- Power outlet to be located a minimum 1.5m off floor

The Miracle MR300ARS is a truly compact unit, it can be bench mounted to further reduce required floor space.

In line with policy to continually develop and improve its products, Moffat reserves the right to change specifications and design without notice.

#### National Sales Hotline

Toll Free 1800 023 953

#### Melbourne

740 Springvale Road  
Mulgrave, Victoria 3170  
Telephone (613) 9518 3888  
Facsimile (613) 9518 3833  
Email: vsales@moffat.com.au

#### Sydney

Telephone (612) 8833 4111  
Facsimile (612) 8833 4122  
Email: nswsales@moffat.com.au

#### Perth

Telephone (618) 9202 6820  
Email: vsales@moffat.com.au

#### Adelaide

Telephone 1800 023 953  
Facsimile (613) 9518 3833  
Email: vsales@moffat.com.au

#### Brisbane

Telephone (617) 3630 8600  
Facsimile (617) 3630 8623  
Email: qldsales@moffat.com.au

#### Christchurch, New Zealand

Telephone (643) 389 1007  
Facsimile (643) 389 1276  
Email: sales@moffat.co.nz  
Web: www.moffat.co.nz

#### Auckland, New Zealand

Telephone (649) 574 3150  
Facsimile (649) 574 3159  
Email: sales@moffat.co.nz  
Web: www.moffat.co.nz

#### National 24 Hour Service Hotline

(Australia Wide)  
Toll Free 1800 622 216

#### Replacement Parts

(Australia Wide)  
Toll Free 1800 337 963

