

• EZYBAKE • ELECTRIC CONVECTION OVEN



MODEL EZ-26

- Stainless steel exterior
- Enamel interior
- Gastronorm compatible
- 4 wire trays included
- Cook & Hold control
- Grill Element in top of oven
- 15 amp power
- Internal light
- Double glazed door



Goldstein

Established 1911

The Cooking Equipment Professionals

www.goldsteineswood.com.au

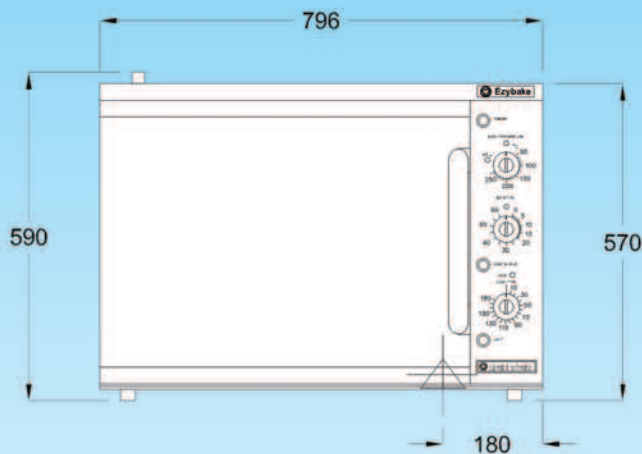
• EZYBAKE • ELECTRIC CONVECTION OVEN

With this high performance electric Convection Oven comes versatility of baking, grilling & Cook & Hold.

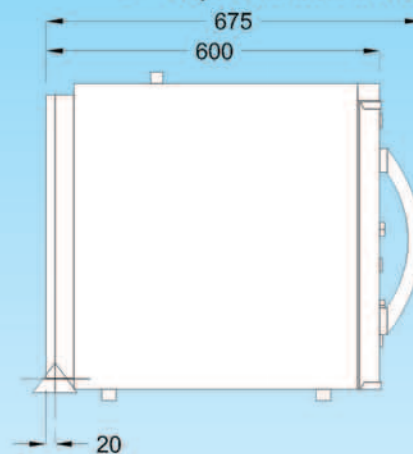
Ideal for Cafes, Coffee Shops, Snack Bars, School Canteens and Nursing Homes as a high production tool in producing evenly baked products.

Specifications

- Stainless Steel body
- Oven interior porcelain enamel
- Internal light
- Cook & Hold function
- Griller element
- 4 heavy duty chrome plated trays
- 3 hour cook timer & hold facility
- 1 hour bake timer
- Optional stand extra



FRONT VIEW



SIDE VIEW



TOP VIEW



ELECTRICAL CONNECTION



| MODEL | OVERALL DIMENSIONS | | | OVEN DIMENSIONS | | | KW RATING | NET WIGHT | CUBE m ³ PACKED | TRAYS PER UNIT | POWER |
|-------|--------------------|-------|--------|-----------------|-------|--------|-----------|-----------|----------------------------|----------------|----------|
| | WIDTH | DEPTH | HEIGHT | WIDTH | DEPTH | HEIGHT | | | | | |
| EZ-26 | 796 | 600 | 590 | 535 | 385 | 365 | 3.2 | 65kg | 0.4 | 4 | 15A/240V |

B-72



ABN 74 000 100 845 - ABN 87 002 481 521

Group Sales: 211-213 Woodpark Rd, Smithfield NSW 2164
 Telephone (02) 9604 7333 Facsimile (02) 9604 5420
 Vic (03) 9553 1355. Qld (07) 3890 1811.
 SA (08) 8238 3423. WA (08) 9456 0559.
 Distributors: ACT (02) 6280 4088. Tas (03) 6234 8300.



Proudly Distributed by

Goldstein Eswood Continually strive to improve all of our products, therefore specifications may be amended from those printed in this brochure without notice Publication ESW776.0503