

• THERMOVEC CONVECTION OVEN •

PROUDLY AUSTRALIAN MADE



RTC-B 10

- All Stainless Steel Convection Oven.
- Many options.
- Ideal Baking Oven holds 10 Standard 730 x 410 Bakers Tray.
- Rethermalising oven that can be preset, one touch switch control.
- Convection oven with standard Cook & Hold.
- Nursing homes, hospital Catering function centres.
- Available as Bench Model or on Stand.



RTC-8



RTC-10



Goldstein

Established 1911



The Cooking Equipment Professionals

www.goldstein.com.au

RTC SERIES-CONVECTION OVEN

All internal lining 1.6mm stainless steel

All stainless steel interior and exterior.
Easy to clean, high polish interior.

Oven has cassette with 10 slides 5 plated wire shelves.

Cavity insulated with glass wool for improved efficiency.

Short heat up time enabling ambient to 180 Deg. C in 6 minutes.

Simple control adjustment to set any cooking program.

Silicone gasket
Positive latch



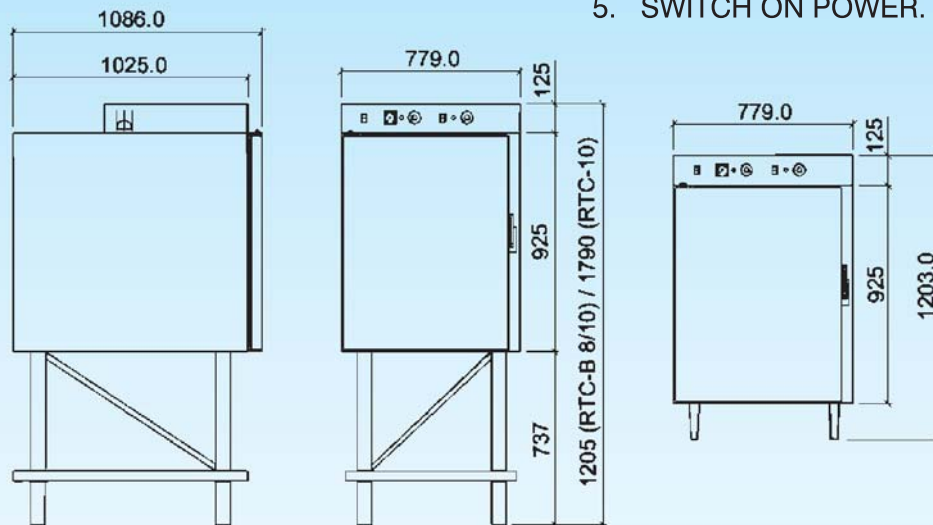
CONTROL PANEL

COOKING MODE

1. SET COOKING TIME.
2. SET COOKING TEMP. THERMOSTAT.
3. LEAVE COOK N' HOLD SWITCH "OFF" POSITION UNLESS REQUIRED.
4. SWITCH ON POWER.

COOKING N' HOLD OPERATION

1. SET COOKING TIME.
2. SET COOKING TEMPERATURE.
3. LEAVE "COOK N' HOLD" SWITCH TO "ON" POSITION.
4. SET HOLD TEMPERATURE TO MAX. 70 DEG.C.
5. SWITCH ON POWER.



☐ -3 Phase + NEUTRAL ELEC. CONNECTION

MODEL No.	OVERALL DIMENSIONS			INTERNAL SIZE			TOTAL CAPACITY OF TRAYS	POWER 3 Phase + Neutral	NET WEIGHT Kg
	WIDTH mm	DEPTH mm	HEIGHT mm	WIDTH mm	DEPTH mm	HEIGHT mm			
RTC-8	779	1086	1205	625	775	770	8	13 Kw	190
RTC10	779	1086	1205	625	775	770	10	13 Kw	190
RTC-B 8/10	779	1086	1205	625	775	770	8/10	13 Kw	190

B66



ABN 74 000 100 845 - ABN 87 002 481 521

Group Sales: 211-213 Woodpark Rd, Smithfield NSW 2164
Telephone (02) 9604 7333 Facsimile (02) 9604 5420
Vic (03) 9553 1355. Qld (07) 3891 1466.
SA (08) 8238 3423. WA (08) 9456 0559.
Distributors: ACT (02) 6280 4088. Tas (03) 6234 8300.



Proudly Distributed by

Goldstein Eswood Continually strive to Improve all of our products, therefore specifications may be amended from those printed in this brochure without notice. Publication ESW776.0503