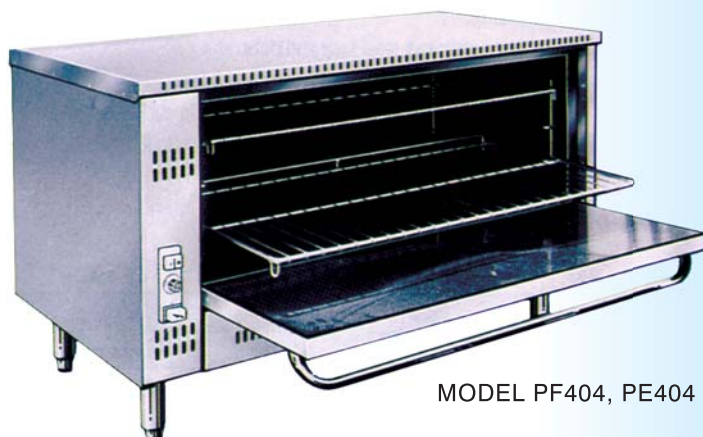


• **GAS & ELECTRIC ROAST OVENS** •

PROUDLY AUSTRALIAN MADE



MODEL PF404, PE404



MODEL PE204, PF204



MODEL PE284, PF284



Goldstein

Established 1911



The Cooking Equipment Professionals

www.goldstein.com.au

● GAS & ELECTRIC ROAST OVENS ●

GOLDSTEIN PF/PE SERIES HEAVY DUTY ROAST AND BAKE OVENS

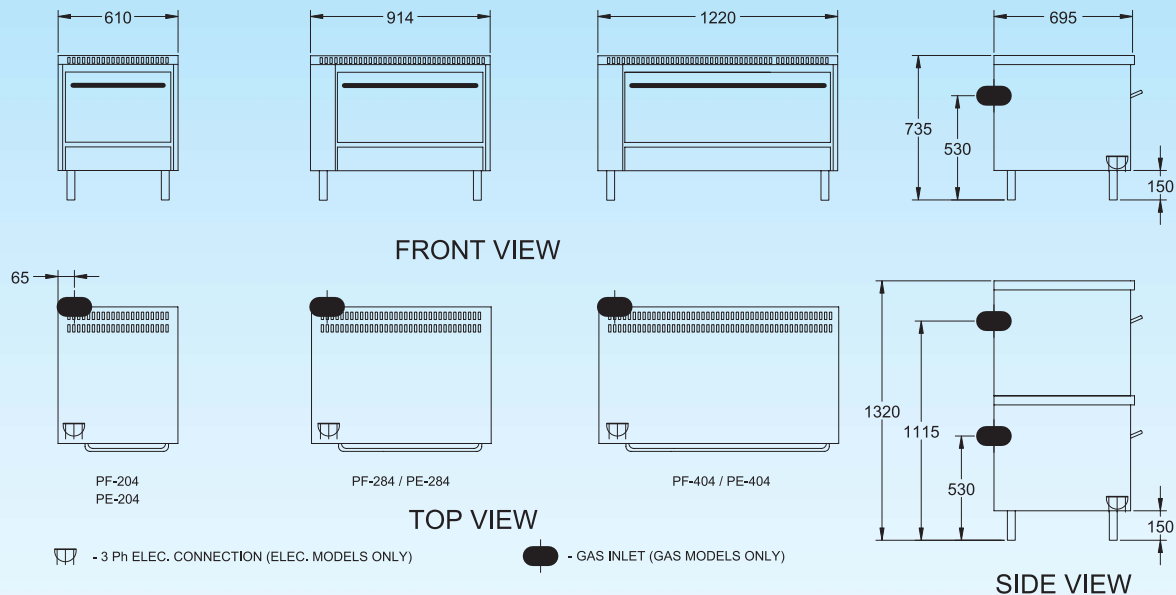
- Gas or electric
- Precision temperature control
- Various capacities available
- Built to last
- Single or double stacked option
- Even heat distribution
- Fully insulated for efficiency & economy
- Australian made

SPECIFICATIONS

CONSTRUCTION FEATURES

- Heavy duty steel, all welded frame ensures rigidity and permanent alignment.
- Ovens are constructed of 1.6mm steel including all linings. Oven bottom is 1.6mm steel with raised sides and back to catch spillovers. Oven bottom is protected from direct flame by 2mm steel baffle.
- Oven interior is completely porcelain enamelled - prevents rust, cleans easier.

- Fully insulated, completely sealed, large capacity interior provide even heat distribution and are ideal for large roasting and baking pans.
- Heavy duty oven burners, rated at BTU per hour. Thermostats located out of high heat zone for accurate temperature control. Instant positive lighting of ovens is assured by use of 100% automatic safety pilots.
- Oven doors feature new design, spring balanced construction gives trouble free operation.
- Chrome plated, non tilting oven racks with rear plate guard are standard with each oven in the Goldstein PF & PE series.
- PE Series ovens feature two elements - the top element is for browning and is regulated by infinite control, fast heating is achieved by engaging both elements.
- 1.2mm stainless steel face and door.
- Silver hammertone finish to sides and back.
- Two chrome plated non-tilting wire racks to each oven.
- Stainless steel adjustable legs from 150mm to 210mm.
- Optional double stacking if required.



GOLDSTEIN ROAST & BAKE OVENS								POWER CONNECTIONS					A G A APP. NO.	
PRODUCT	MODEL NUMBER	DIMENSIONmm			DIMENSIONmm OVEN INTERNAL			NO OF RACKS	240V 2phase Kw	GAS SIZE mm	GAS Mj	NET Kg		CUBIC METRE PACKED
Gas - single deck	PF-204	610	695	735	508	560	355	2		13	30	90	0.4	2597
Gas - single deck	PF-284	914	695	735	710	560	355	2		13	34	145	0.7	2494
Gas - single deck	PF-404	1220	695	735	1016	560	355	2		13	36	195	0.8	2597
Electric - single deck	PE-204	610	695	735	508	560	355	2	5.4			90	0.4	
Electric - single deck	PE-284	914	695	735	710	560	355	2	6.4			145	0.7	
Electric - single deck	PE-404	1220	695	735	1016	560	355	2	8.8			195	0.8	
ALL UNIT ABLE TO BE DOUBLE STACKED IF REQUIRED														

B33



ABN 74 000 100 845 - ABN 87 002 481 521

Group Sales: 211-213 Woodpark Rd, Smithfield NSW 2164
 Telephone (02) 9604 7333 Facsimile (02) 9604 5420
 Vic (03) 9553 1355. Qld (07) 3891 1466.
 SA (08) 8238 3423. WA (08) 9456 0559.
 Distributors: ACT (02) 6280 4088. Tas (03) 6234 8300.



Proudly Distributed by

Goldstein Eswood Continually strive to improve all of our products, therefore specifications may be amended from those printed in this brochure without notice. Publication ESW776.0503