

● **RADIANT CHAR BROILER** ●

**PROUDLY AUSTRALIAN MADE**



RBA 24 ON STAND



RBA-48 ON STAND



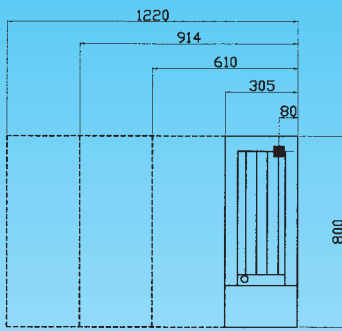
**Goldstein**

Established 1911

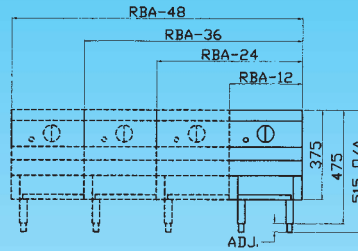
**The Cooking Equipment Professionals**

[www.goldstein.com.au](http://www.goldstein.com.au)

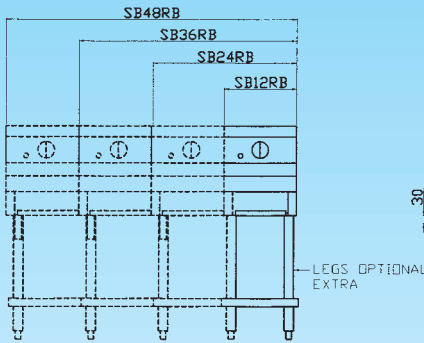
# ● RBA-12, RBA-24, RBA-36, RBA-48 ● RADIANT CHAR BROILER



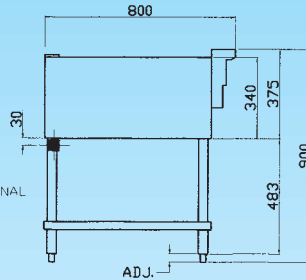
RBA Series Bench Mounted Models



STANDARD RBA



RBA Series Mounted on Stand



RBA-SB MODELS  
(STAND MOUNTED)

◆ GAS ENTRY (3/4") B.S.P.

RBA-12/24/36/48

## Specifications:

### STANDARD

- Stainless steel face and hob standard.
- All welded frame of heavy steel gives rigidity and permanent alignment.
- Drip tray is completely porcelain enamelled.
- Fibre glass insulated.
- Easy to clean prevents rusting.
- Heavy duty radiants, generate more heat for better controlled broiling.
- Reversible grates in 76mm sections for easy handling. Specially designed to enable cooking of fish on one side and meat on the other.
- Generous grease trough.
- Flame failure device standard.
- Piezzo ignition, no electrical connection required.
- Designed for Australian conditions.
- Available Natural, Towns, L.P. or Butane gas.

### OPTION

- Solid plate in lieu of open grates.
- Stainless steel cover.



PRODUCT	MODEL No	DIMENSIONS MM			COOKING AREA	No of BURNERS	No of GRATES	GAS Mj	NET Kg	CUBIC METRE
		WIDTH	DEPTH	HIGH						
BENCH MODELS	RAB-12	305	800	475	240 x 545	2	3	38	65	0.1
	RAB-24	610	800	475	510 x 545	4	7	76	114	0.2
	RAB-36	914	800	475	815 x 545	6	11	114	150	0.3
	RAB-48	1220	800	475	1120 x 545	8	15	152	200	0.4

Note: All unit with 3/4" BSP Governor

B24

Goldstein  ESWOOD

ABN 74 000 100 845 - ABN 87 002 481 521

Group Sales: 211-213 Woodpark Rd, Smithfield NSW 2164  
Telephone (02) 9604 7333 Facsimile (02) 9604 5420  
Vic (03) 9553 1355. Qld (07) 3891 1466.  
SA (08) 8238 3423. WA (08) 9456 0559.



Proudly Distributed by

Goldstein Eswood Continually strive to improve all of our products, therefore specifications may