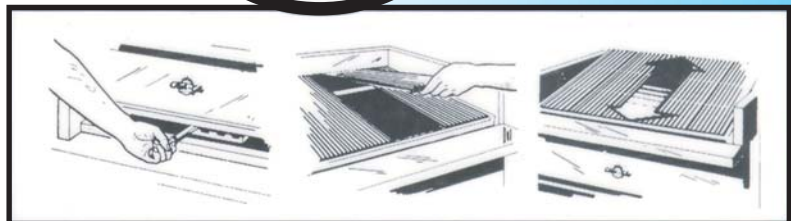
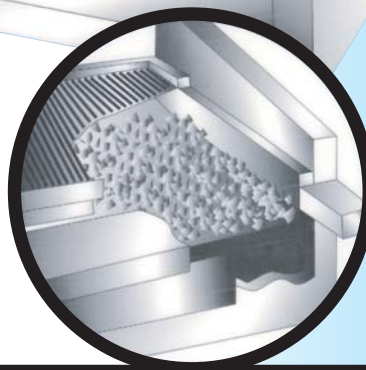


• **CHAR-GLO HEAVY DUTY BROILERS** •

**PROUDLY AUSTRALIAN MADE**



MODEL CHDS  
CERAMIC COALS



**Goldstein**

Established 1911

**The Cooking Equipment Professionals**

[www.goldstein.com.au](http://www.goldstein.com.au)

# ● CHAR-GLO HEAVY DUTY BROILERS ●

Non fire hazard. Only CHAR-GLO has positive grease and flame control. With special lever you can tilt broiling grates to any angle desired. Up to 75% of the grease, therefore, does not drip onto the heating radiants and cause dangerous fire hazards. Instead it follows the angle of the top grates to the front of the broiler. The grease is then caught in a trough and drained away to a drip can below; easily removed for cleaning.

For the popular "char-broiled" flavour. The CHDS Models are equipped with long lasting ceramic coals that have the appearance of charcoal. These ceramic coals provide the same attractive and tasteful broiling results, but without the mess or high cost of charcoal. and heating up to broiling temperature is quick... in just 15 minutes. These models are widely used for exhibition broiling. Patrons like to watch the chef "char-broil" their steaks, chops, hamburgers, chicken or fish on these handsome stainless steel CHAR-GLO BROILERS.

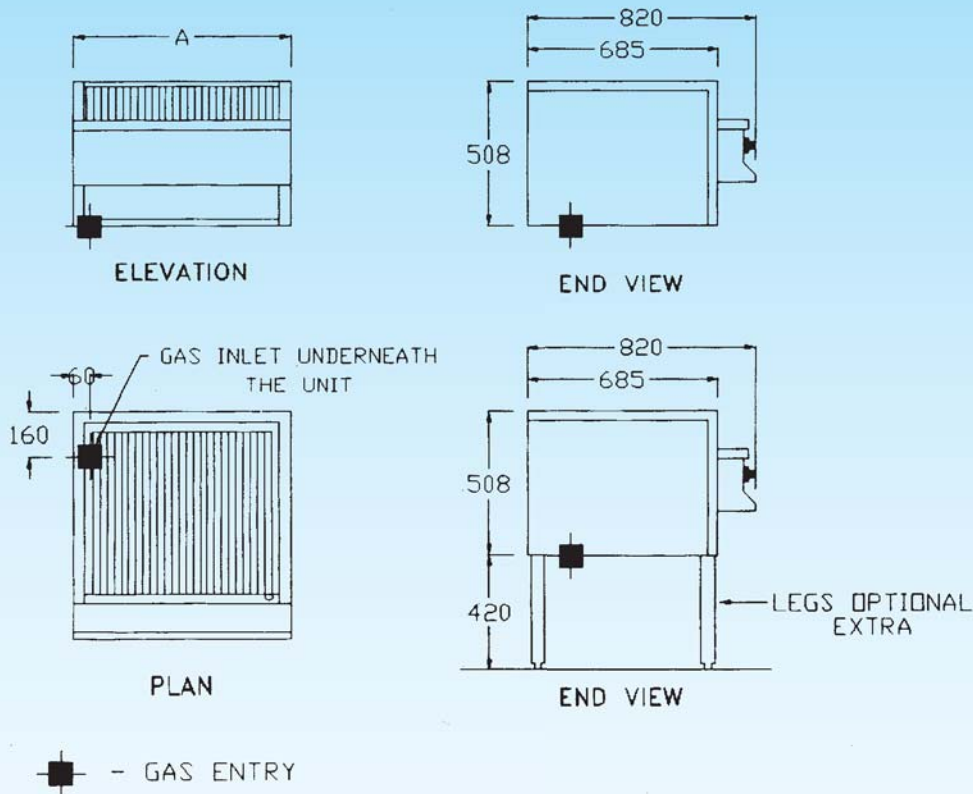
## specifications

### CONSTRUCTION FEATURES

- Stainless steel top and front.
- 38mm layer of fibreglass insulation.
- Burners are Goldstein exclusive cast iron "H" burners, giving perfect distribution of heat over the cooking surface.
- Either Natural or Propane gas can be used to fire CHAR-GLO Broilers.
- Gas affords the ultimate in economy with cleanliness and simplicity.

### EASY INSTALLATION!

- Compact and streamlined, CHAR-GLO Heavy Duty Broilers can be set up almost anywhere. Just install CHAR-GLO under hood or ventillator.



MODEL NO.	OVERALL DIMENSIONS			BBQ PLATE DIMENSIONS		NO. OF BURNERS	GAS		NET WGT Kg	CUBIC METRE PACKED	APP. NO.
	WIDTH	DEPTH	HEIGHT	WIDTH	DEPTH		RATING	SIZE			
	mm	mm	mm	mm	mm		Mj	mm			
CHDS-24	610	820	508	460	610	2	100	19	131	0.4	2224
CHDS-36	914	820	508	735	610	3	150	19	179	0.5	2224

B25



ABN 74 000 100 845 - ABN 87 002 481 521

Group Sales: 211-213 Woodpark Rd, Smithfield NSW 2164  
 Telephone (02) 9604 7333 Facsimile (02) 9604 5420  
 Vic (03) 9553 1355. Qld (07) 3891 1466.  
 SA (08) 8238 3423. WA (08) 9456 0559.  
 Distributors: ACT (02) 6280 4088. Tas (03) 6234 8300.



Proudly Distributed by

Goldstein Eswood Continually strive to improve all of our products, therefore specifications may be amended from those printed in this brochure without notice. Publication ESW7776.0503