

# KT061TW

# Kompatto Oven

6 x 1/1GN Tray Electric Model



### Product Code:

KT = Kompatto Instant Steam  
 061 = 6 x 1/1GN Tray model

### Technical Data:

Dimensions: 519 x 803 x 770  
 (W x D x H)  
 Total Connected Load: 6.9kW  
 Electrical Connection: 3Ø + N + E  
 Water: 3/4" cold water supply  
 2.5 bar Min - 3.5 bar Max

### Optional Accessories:

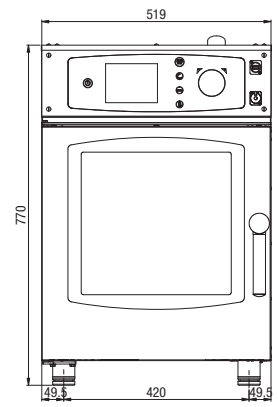
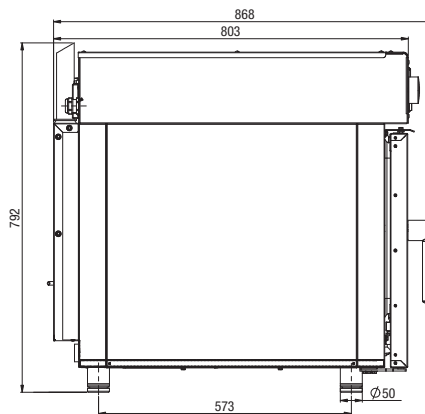
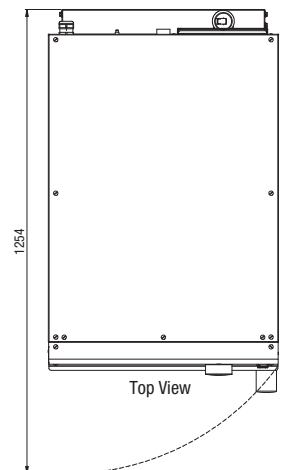
Stand with Runners  
 Stacking Kits  
 Riser stand  
 Reverse Osmosis System  
 Right Hand Door Hinge Door  
 Smoker  
 Sous Vide Probe

### Product Information:

- High efficiency instant steam oven, for quality steam generation
- Space saving solution, as footprint is only 519mm from left to right
- Meteo system (patented) for precise humidity control improves cooking quality
- Steam tuner (patented) for tuning dry-wet steam
- Touch screen control board with 9 phase programming up to 500 programs
- 100 pre-set cooking programs
- Multi level cooking, low temperature cooking, Delta T and regeneration possibilities
- Heating of cooking chamber with high performance incaloy heating elements
- 6 adjustable fan speeds, with automatic cooldown
- USB port for uploading and saving recipes, HACCP logging and firmware updating
- Double glazed easy opening door along with simple non-latching shutting
- Multi-rail system allows cooking flexibility by having double selections for loading

### Includes:

- Wash system
- Hand shower
- Core temperature probe
- Advanced scale reduction filter (WA, NT & SA excluded as RO unit is required)
- Drain kit



Side View

Front View

Due to continuous product research and development, the information contained herein is subject to change without notice.

Revision: 08/05/2019

[www.stoddart.com.au](http://www.stoddart.com.au)

[www.stoddart.co.nz](http://www.stoddart.co.nz)