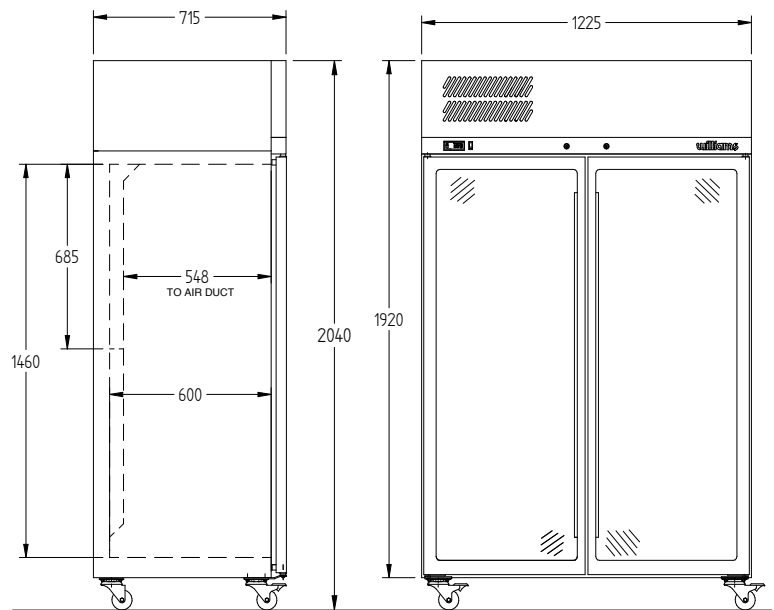
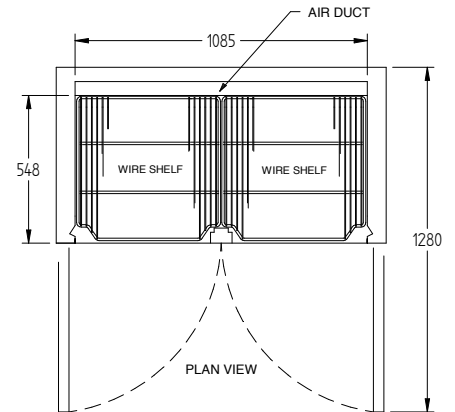


HPS2GD



| | |
|----------|------------------|
| CATEGORY | GENERAL UPRIGHTS |
| RANGE | PEARL STAR |
| UNIT | REFRIGERATOR |
| TYPE | SELF CONTAINED |
| DOORS | 2 |



SPECIFICATIONS

| | |
|--|-------------------------|
| CAPACITY LITRES | 950 |
| TEMPERATURE | 1°C / 4°C |
| DIMENSIONS - W X D X H (ON CASTORS) MM | 1225 W x 715 D x 2040 H |
| WEIGHT UNPACKED (KG) | 220 |

STANDARD INCLUSIONS ***

| | |
|---|--|
| DOOR TYPE | GD (Glass Door), Optional: PT (Pass Thru) |
| FINISH (INTERIOR AND EXTERIOR, EXCLUDES REAR AND UNDER, STAINLESS STEEL INTERNAL FLOOR) | CB (White), CBB (Black), SS (Stainless Steel) |
| SHELVES/DOOR | 4 |

ELECTRICAL

| | |
|-----------------------------|---------------------|
| POWER SUPPLY | 10 amp |
| FRIDGE MODELS - GLASS DOORS | RUNNING AMPS 4.8 |

GAS TYPE

| | | |
|-------------|---------------|-------|
| REFRIGERANT | FRIDGE MODELS | R134a |
|-------------|---------------|-------|

REFRIGERATION WATTAGES FOR OPTIONAL REMOTE UNITS

| | |
|-----------------------------|----------------|
| FRIDGE MODELS - GLASS DOORS | 850 @ -5°C SST |
|-----------------------------|----------------|

*** For **OPTIONS** refer to the current Williams Price Guide