

specifications

BC126

centaur
from SKOPE

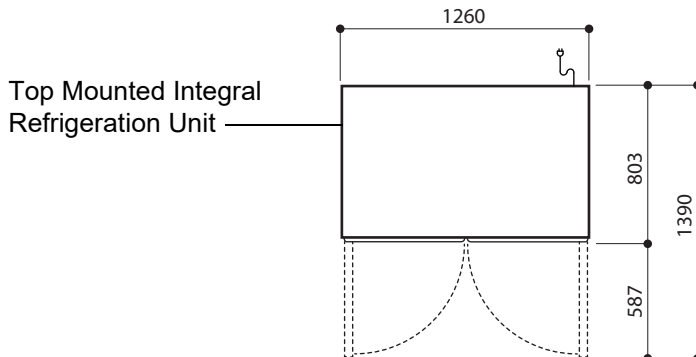
Centaur Vertical Double Solid Door

Chiller: BC126-2RR0S-E

Freezer: BC126-2FF0S-E

CABINET DIMENSIONS

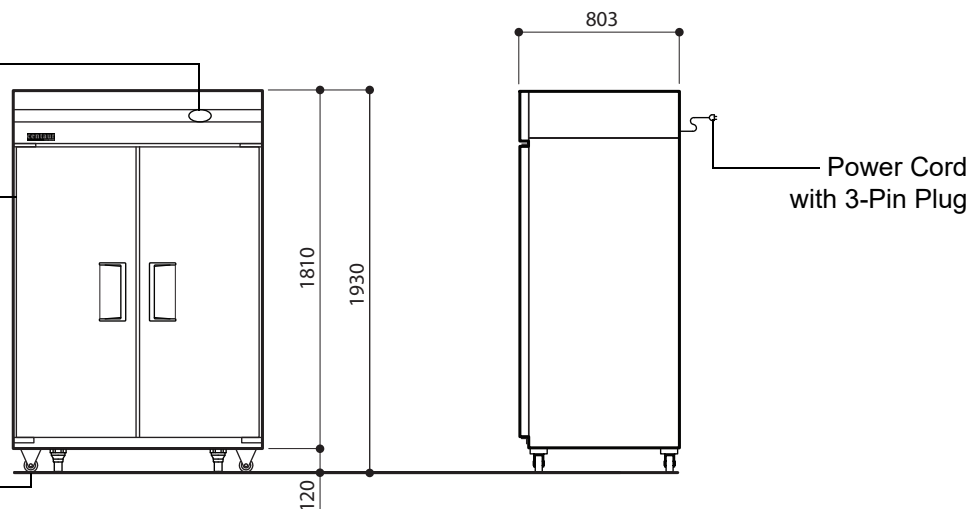
	External	Internal
Height:	1930mm	1450mm
Width:	1260mm	1130mm
Depth:	803mm	630mm
Floor area:	1.02m ²	



CAREL 'easy' electronic controller

Solid Swing Doors

Lockable, swivel castors and adjustable legs



Copyright © 2008 SKOPE Industries Limited

CABINET SPECIFICATIONS

Refrigeration system:	Electronically controlled, top mounted, integral refrigeration unit
Electronic controller:	CAREL 'easy' electronic controller
Refrigerant:	Chiller: R134a / 370g, Freezer: R404A / 350g
Nominal capacity:	Chiller: 299 Watts, Freezer: 544/544 Watts
Cabinet internal volume:	1032 litres
Climatic Class:	5
Operating temperature:	Chiller: +1°C to +4°C up to 38°C ambient Freezer: -23°C to -18°C up to 38°C ambient
Electrical:	230-240 Volts a.c. 50 Hz, Chiller: 3.31 Amps, Freezer: 7.87 Amps
Internal lighting:	1 x 25 Watt light bulb (OSRAM PYGMY CL 25 E14) - Door activated
Power cord:	2.0m flexible power cord with 3-pin plug
Doors:	Solid, stainless steel, self-closing doors - LH and RH hinged
Internal door opening size:	2 door openings: 1420mm high x 515mm wide
Shelves:	3 adjustable shelves per door: 610mm x 545mm
Weight:	203 kg

SKOPE Industries Limited reserve the right to alter specifications without notice.

PSS0047 Rev. 5.1 Dec. 2017



SKOPE INDUSTRIES LIMITED



New Zealand Freephone: 0800 947 5673, Fax: (03) 983 3896. Australian Freephone: 1800 121 535, Freefax: 1800 121 533

Email: enquiry@skope.co.nz Website: www.skope.co.nz